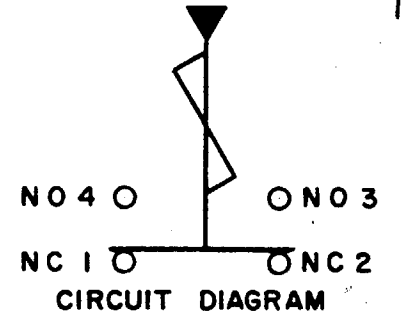


H MICRO SWITCH
 FREEPORT, ILLINOIS, U.S.A.
 A DIVISION OF HONEYWELL

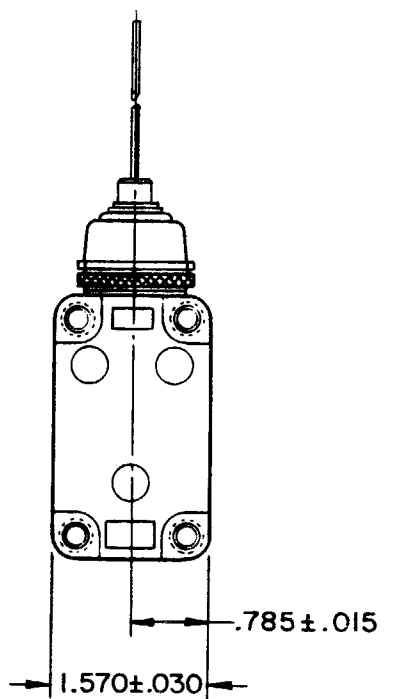
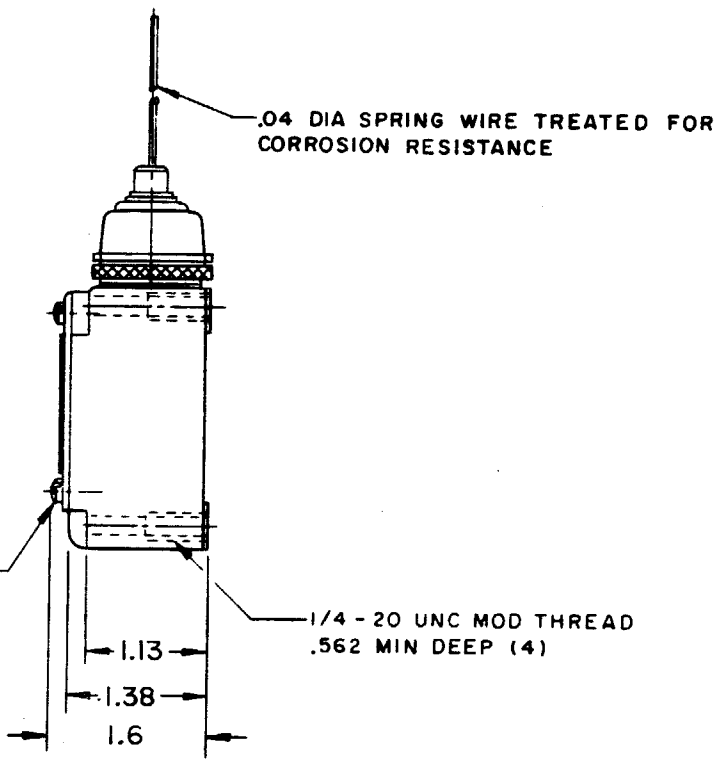
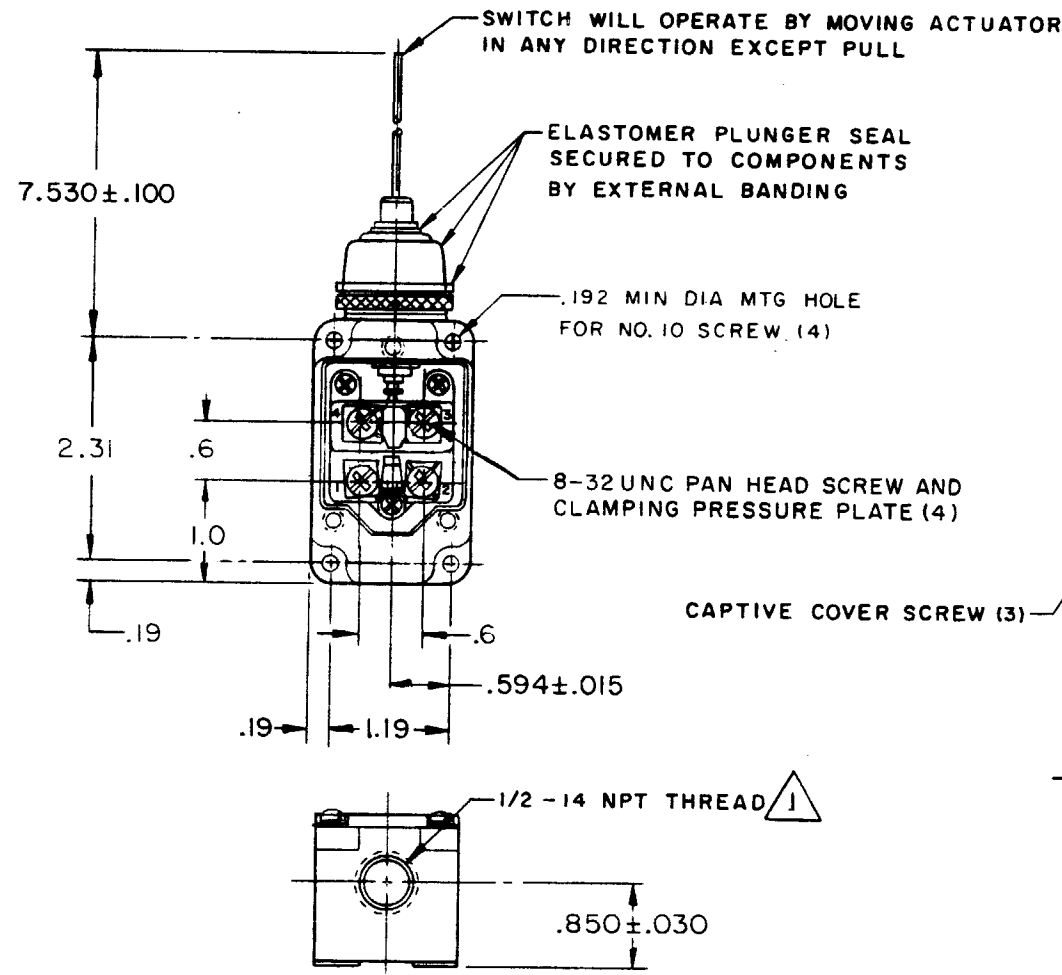
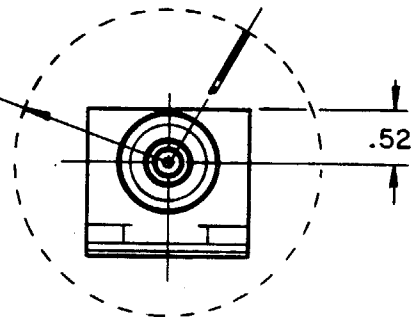
SWITCH-ENCLOSED

CATALOG LISTING
8LS125

FED. MFG. CODE 91929



2.50 MAX
 OPERATING POSITION



8LS125
 M
 DRAWING NUMBER
 10
 ISSUE
 REVISIONS
 A CO15200
 21 JUN 65
 B CO23403
 26 SEP 68
 C CO25152
 19 APR 69
 D CO36863
 9 APR 76
 E CO50952-F
 9 JUNE 83
 F CO53005-D
 1 AUG 84
 G CO65814-E
 20 NOV 90
 H CO77031
 22 DEC 93
 FO-80378-003
 DRAWN
 O M W
 21 JUN 65
 CHECK
 L S D
 22 JUN 65
 CHECK
 W R A
 22 JUN 65
 CHECK
 W C S
 22 JUN 65
 RELEASE NO.

THIS DRAWING COVERS A PROPRIETARY ITEM AND IS THE PROPERTY OF MICRO SWITCH, A DIVISION OF MINNEAPOLIS-HONEYWELL REGULATOR CO. THIS DRAWING IS NOT TO BE COPIED OR USED WITHOUT THE APPROVAL OF MICRO SWITCH.

CHARACTERISTICS	ELECTRICAL DATA	SCALE 1/2 TO 1
OPERATING FORCE - - - - - 1 OZ MAX	CONTACT ARRANGEMENT (SEE CIRCUIT DIAGRAM)	DO NOT SCALE PRINT
SWITCH - BASIC REPLACEMENT - - - - - 2MN11	10A-120, 240, OR 480 VAC; 1/4 HP - 120 VAC 1/2 HP - 240 VAC; 0.8A - 115 VDC; 0.4A - 230 VDC .1A - 550 VDC PILOT DUTY: 600 VAC MAX	UNLESS OTHERWISE NOTED DIMENSIONS ARE IN INCHES TOLERANCES ARE: ONE PLACE (.0) ±.030 TWO PLACE (.00) ±.015 THREE PLACE (.000) ±.008 ANGLES ±
		WEIGHT

NOTE -
 ⚠ SEAL FURNISHED BY USER